

Midget Model 277 Levelometer

Midget Model 277 Pneumatic Indicator

The Midget Model 277 Pneumatic gauge provides an economical way to achieve reliable and accurate tank gauging in vented tanks. Pneumatic gauges have been used for many years in tank gauging systems requiring remote indication with accuracy and stability over wide temperature ranges. These gauges are supplied with custom dials, depending on the application. Dial scales may be manufactured to indicate proportional (i.e. E, $\frac{1}{4}$, $\frac{1}{2}$, $\frac{3}{4}$, F), litres, gallons, feet & inches, percentage of full and dual scale.



The Model 277 Midget Levelometer is recommended for tank capacities up to 5000 gallons. The maximum tank height is 10 feet. Its 3 $\frac{1}{2}$ " (90°) dial provides up to 50 graduations and is generally accurate to $\pm 2\%$.

Theory of Operation

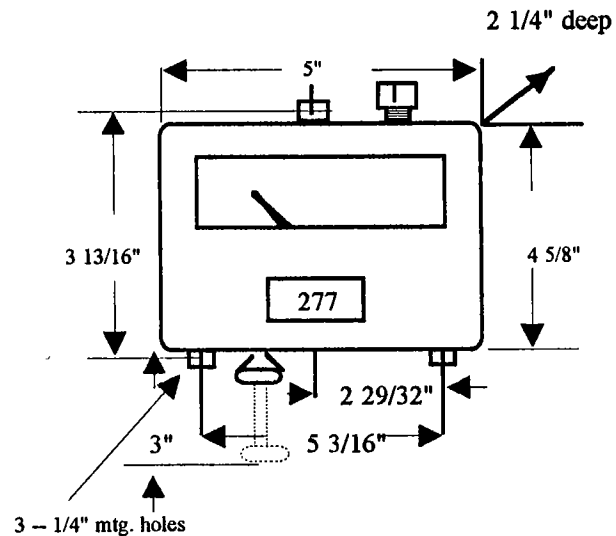
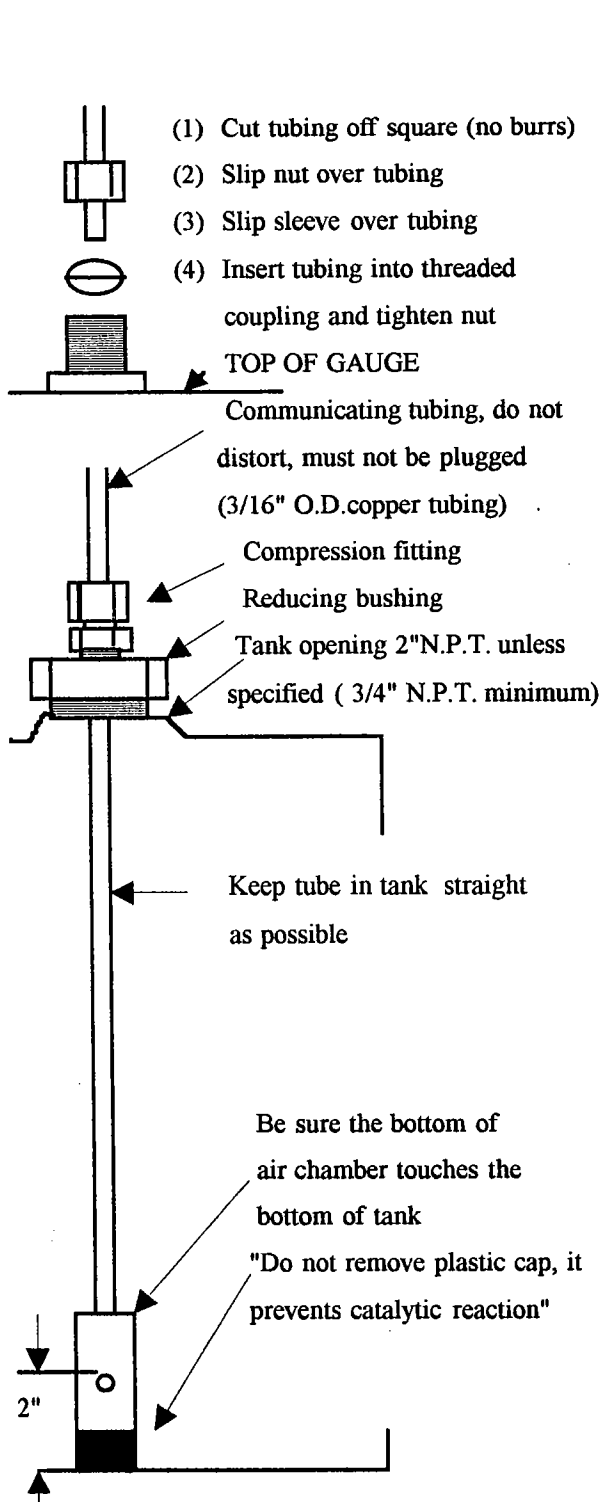
The Midget Model 277 provides an intermittent capacity reading for vented tanks. The tank assembly is $\frac{3}{16}$ " copper tubing with an air chamber at one end. The tubing assembly is inserted into the tank until the air chamber touches the bottom. The other end of the tubing is connected to the tube fitting on the Midget gauge. The hand pump provides the source of air. Air is pumped through the tubing into the tank. The back pressure caused by the column height of liquid in the tank causes the gauge pointer to move and indicate the capacity of liquid in the tank. The gauge must be pumped again and another reading taken. When two consecutive readings are the same then an accurate measure has been obtained.



16A Fielding Avenue, Dartmouth, Nova Scotia Canada B3B 1E1
Bus: (902) 468-3333 Fax: (902) 468-8636 info@petromax.ca

INSTALLATION INSTRUCTIONS

277 "MIDGET" MODEL LEVELOMETER (HAND PUMP TYPE)



INSTALLATION.

Straighten out air chamber end and insert straight through tank opening until it touches bottom of tank. Screw reducing bushing and compression fitting which form a tight joint between tubing and reducing bushing. These fittings are on tubing in order of attachment. Then run the tubing to the desired dial location and connect tubing to dial end. Attach communicating tubing to wall to prevent it from being damaged.

WARNING

Failure to make the following adjustment will result in improper gauge reading.

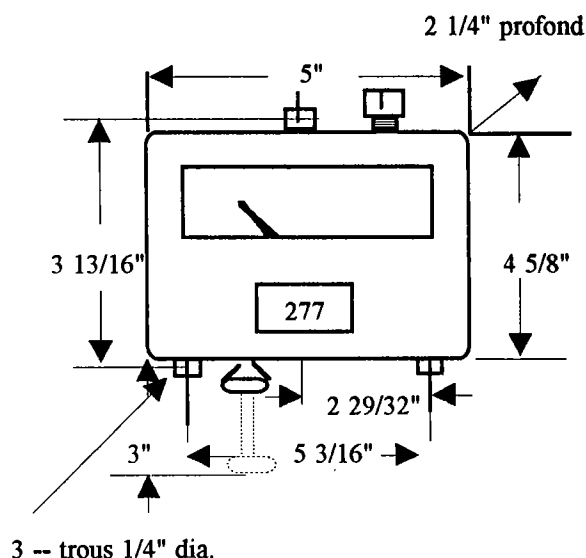
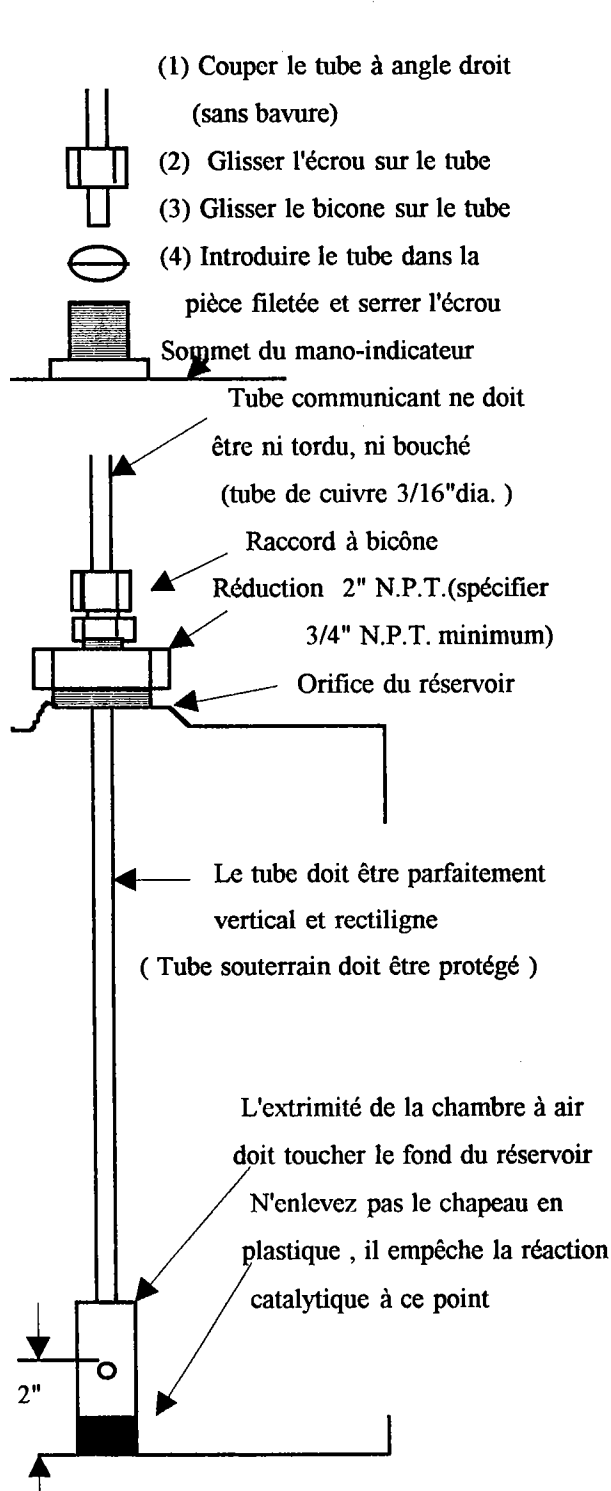
Be sure the pointer indicates the first mark on the dial before attaching the tube to the gauge head. If it is above or below this mark remove plug from the bottom of the case. Insert screwdriver vertically through the hole and engage it in the slot of the self locking adjustment screw. If pointer is below the first mark on the dial, turn screw clockwise, if above, turn screw counterclockwise. Reinsert plug and attach tubing.

To read pump gauge until maximum reading obtained.

Note: Underground tubing should be protected.

MODELE 277 "MIDGET" LEVELOMETER

POSE ET RÉGLAGE



INSTALLATION.

Rectifier l'extrémité du tube communicant portant la chambre à air et la plonger par l'orifice du réservoir jusqu'au fond de celui-ci. Visser la réduction et le raccord à bicone qui assurent l'étanchéité entre le tube et la réduction. Ces accessoires sont montés sur le tube dans l'ordre de fixation. Faire courir ensuite jusqu'à l'emplacement choisi pour le mano-indicateur et le raccorder à celui-ci. Fixer le tube au mur pour éviter de l'arracher ou de l'endommager.

RÉGLAGE.

La lecture du cadran sera inexacte, tant que les réglage suivants n'auront pas été effectués.

L'aiguille doit venir en face du premier repère du cadran avant que le tube communicant ne soit raccordé à la jauge. Si elle n'est pas en face du repère, dévisser le bouchon qui ferme le trou de réglage ménagé au bas du boîtier. Introduire verticalement un tournevis dans ce trou et l'engager dans la tête de la vis de réglage auto-bloquante. Tourner la vis vers la droite ou la gauche pour bouger l'aiguille. Le réglage effectué. Refermer le trou de réglage à l'aide de son bouchon, et raccorder le tube communicant à la jauge.

Pour obtenir une lecture, actionner la pompe à main.