

PISCES™ Polyethylene Tank Sumps

PISCES™ Tank Sumps are installed below grade on top of Underground Storage Tanks to provide access to and containment of underground equipment, such as submersible pumps, tank bung fittings, extractor valves and various piping and connections. Tank Sumps extend from the top of the tank to just below a manhole cover at grade level, and provide a clean, watertight working area to facilitate maintenance on UST equipment.



Features

- ◆ **Available in Multiple Sizes** – To accommodate deep, medium and shallow-bury depths; 36" (914 mm) and 42" (1,067 mm) manholes.
- ◆ **One-Piece Design** – No joint to assemble or leak.
- ◆ **Light Color** – Preserves rigidity in sunlight before backfill and provides maximum visibility after installation.
- ◆ **Thick Walls and Structurally Ribbed Riser** – To prevent deformation from backfill and high water table forces.
- ◆ **Large Multi-Sided Base** – Allows for maximum working area and flexibility in pipe entry locations.

PISCES™ Sump Covers feature:

- ◆ **Unique Sealing System**
 - Knobs and bracket allow cover seal to be compressed between the sump cover and a flat rib surface, instead of sealing on a field-cut surface.
 - No holes in the cover inboard of the seal.
 - Easy-to-adjust height with no additional assembly.

Optional Sight Glass Kit

Product # SIP-4

Includes urethane sealant (SL-1100)



North America Toll Free – TELEPHONE: (800) 422-2525

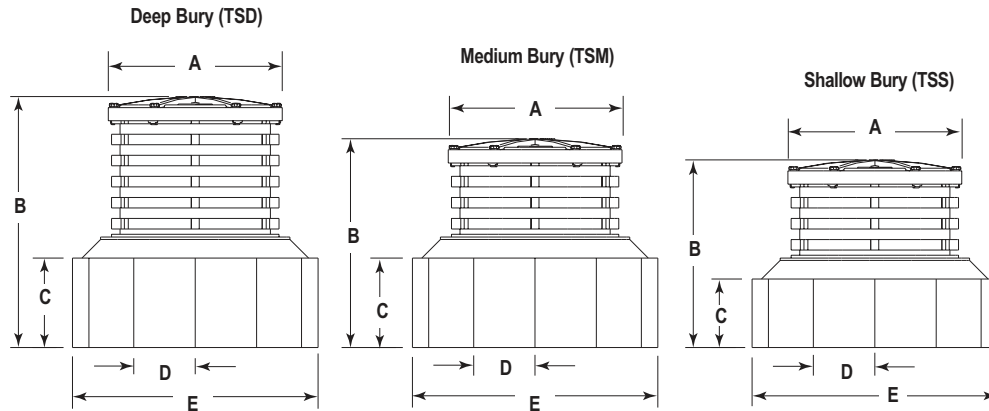
Fax: (800) 421-3297 ◆ Email: domesticsales@opw-fc.com

International – TELEPHONE: (513) 870-3315 or (513) 870-3261

Fax: (513) 870-3157 ◆ Email: intlsales@opw-fc.com ◆ www.opw-fc.com

P.O. Box 405003 ◆ Cincinnati, OH 45240-5003 ◆ 3/06

Ordering Specifications

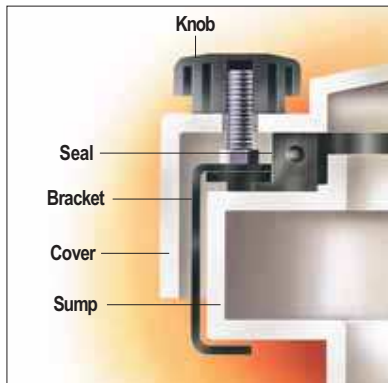


Ordering Specifications

Application	Model #	Manway Diameter	Dimensions								Sump Base Burial Depth				Weight			
			A Cover		B Height		C x D Panel		No. of Panels	E Base		max.		min.		lbs.	kg	
			in.	mm	in.	mm	in.	mm		in.	mm	in.	mm	in.	mm			
Shallow-Bury Tank Sump	TSS-4536	36	914	33	838	34	864	12 x 12	305 x 305	12	45	1,143	39	991	28	711	84	38
Shallow-Bury Tank Sump	TSS-4842	42	1,067	39	991	34	864	12 x 11	305 x 279	14	48	1,219	39	991	28	711	86	40
Medium-Bury Tank Sump	TSM-4536	36	914	33	838	39	991	17 x 12	432 x 305	12	45	1,143	44	1,118	33	838	86	40
Medium-Bury Tank Sump	TSM-4636	36	914	33	838	39	991	16 x 9	406 x 229	16	47	1,194	44	1,118	33	838	86	39
Medium-Bury Tank Sump	TSM-4842	42	1,067	39	991	39	991	17 x 11	432 x 279	14	48	1,219	44	1,118	33	838	88	40
Deep-Bury Tank Sump	TSD-4536	36	914	33	838	51	1,295	17 x 12	432 x 305	12	45	1,143	56	1,422	33	838	90	41
Deep-Bury Tank Sump	TSD-4842	42	1,067	39	991	51	1,295	17 x 11	432 x 279	14	48	1,219	56	1,422	33	838	92	42

Tank Sumps/Transition Sumps/Special Application Sumps

Model #	Description	Volume Gallons (liters)		Volume cu. ft. (cubic mtr)		Surface Area sq. ft. (sq. mtr)		Height Change in. (mtr)
		Min.	Max.	Min.	Max.	Min.	Max.	
TSS-4536	Tank Sump, Shallow Bury, 45" (1,143 mm) Base, 36" (914 mm) Manway	112 (424)	147 (556)	14.96 (.423)	19.60 (.555)	39.74 (3.691)	53.47 (4.967)	12 (.305)
TSS-4842	Tank Sump, Shallow Bury, 48" (1,219 mm) Base, 42" (1,067 mm) Manway	132 (500)	183 (693)	17.66 (.500)	24.42 (.691)	44.48 (4.132)	61.05 (5.671)	12 (.305)
TSM-4536	Tank Sump, Medium Bury, 45" (1,143 mm) Base, 36" (914 mm) Manway	146 (552)	181 (685)	19.56 (.553)	24.20 (.685)	44.71 (4.153)	58.44 (5.429)	12 (.305)
TSM-4636	Tank Sump, Medium Bury, 47" (1,194 mm) Base, 36" (914 mm) Manway	143 (541)	178 (674)	19.14 (.541)	23.78 (.673)	44.67 (4.150)	58.41 (5.426)	12 (.305)
TSM-4842	Tank Sump, Medium Bury, 48" (1,219 mm) Base, 42" (1,067 mm) Manway	171 (647)	222 (840)	22.88 (.647)	29.63 (.839)	49.75 (4.621)	66.32 (6.161)	12 (.305)
TSD-4536	Tank Sump, Deep Bury, 45" (1,143 mm) Base, 36" (914 mm) Manway	146 (552)	216 (817)	19.56 (.553)	28.85 (.816)	44.71 (4.153)	72.18 (6.705)	24 (.610)
TSD-4842	Tank Sump, Deep Bury, 48" (1,219 mm) Base, 42" (1,067 mm) Manway	171 (647)	272 (1,029)	22.88 (.645)	36.38 (1.030)	49.75 (4.621)	82.90 (7.701)	24 (.610)



Replacement Parts & Accessories

Part Number	Description
H13257M	Knob
H13213M	Bracket
H13214M	Seal 33" (838 mm)
H13215M	Seal 39" (991 mm)
C04420M	Ring 33" (838 mm)
C04432M	Ring 39" (991 mm)
D02025M	Cover 33" (838 mm)
C02034M	Cover 39" (991 mm)

Important

OPW products should be used in compliance with applicable federal, state, provincial, and local laws and regulations. Product selection should be based on physical specifications and limitations, and compatibility with the environment and materials to be handled. OPW MAKES NO WARRANTY OF FITNESS FOR A PARTICULAR USE. All illustrations and specifications in this literature are based on the latest product information available at the time of publication. OPW reserves the right to make changes at any time in prices, materials, specifications and models and to discontinue models without notice or obligation.