

OPW is the world leader in commercial and industrial protective curbing products. The company designs, engineers and manufactures island forms, curb fascia, pipe and bumper guards to meet virtually any protective curbing application.

POMECO/OPW Island Forms Feature:

- ◆ **Variety of End Sections, Lengths, Widths and Styles** - Allows for a customized fit to site constraints and requirements.
- ◆ **Spacious Mid-Section** - Provides ample room to install standard and wide-access dispenser sumps from the top of the island.
- ◆ **Unique Sump Mounting System** - Ensures the dispenser sump is anchored to the Island Form and adjustable to accommodate various width sumps.
- ◆ **Convenient Shipping and Storage** - Revolutionary threaded-stud bracing system allows forms to stack together and enables boxing of the island assembly.
- ◆ **Easy Installation** - Cross braces bolt onto threaded studs. Field welding is not required.
- ◆ **Attractive Appearance** - Link plates impart a crisp, clean exterior joint between sections for a smooth, finished presentation.

ONE COMPANY. ONE WORLD. ONE SOURCE.™

POMECO/OPW Island Forms and Protective Curbing

Designed to protect gasoline dispensers, electronic equipment, kiosks, bank teller and ATM equipment, as well as to restrict or route material handling equipment in warehouses, to streamline traffic flows in toll booths and quick-serve restaurants and for various other commercial traffic management applications.



North America Toll Free – TELEPHONE: (800) 422-2525
 Fax: (800) 421-3297 ◆ Email: domesticsales@opw-fc.com
 International – TELEPHONE: (513) 870-3315 or (513) 870-3261
 Fax: (513) 870-3157 ◆ Email: intlsales@opw-fc.com ◆ www.opw-fc.com
 9393 Princeton-Glendale Road ◆ Hamilton, OH 45011

Listings and Certifications



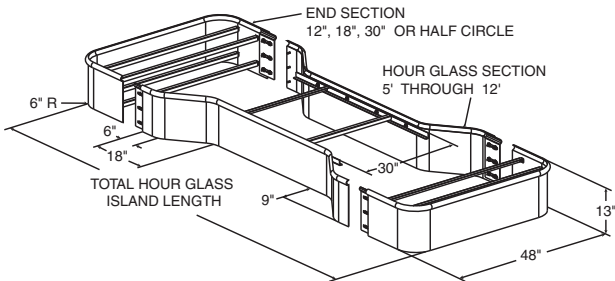
2005 UL Standard for safety for non-metallic underground piping for flammable liquids, UL971.

POMECO/OPW Standard Island Forms

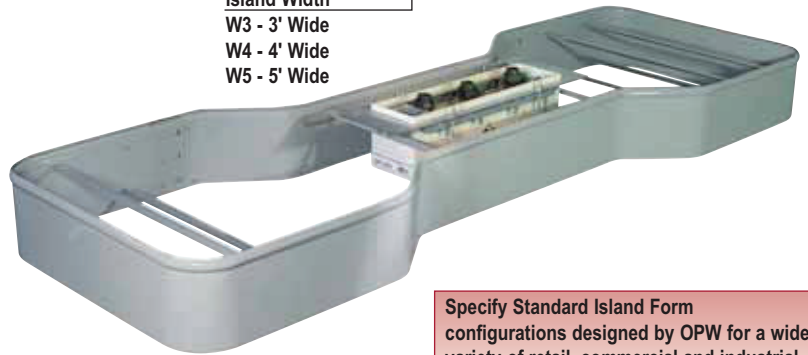
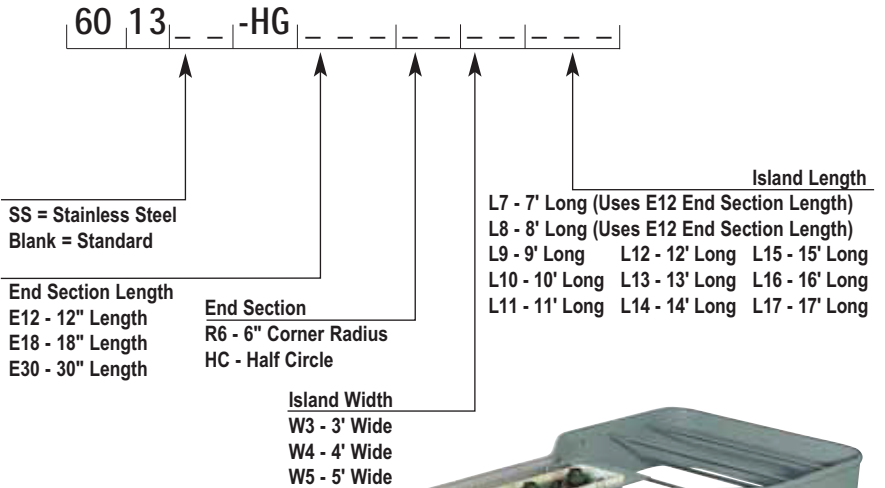
Specify Standard Island Form configurations designed by OPW for a wide variety of retail, commercial and industrial traffic management applications.

Hour Glass Island Forms

Hour Glass Island Forms are designed with side sections integrating a double-reverse 9" taper to provide easy access to multi-product gasoline dispensers while protecting expensive electronic equipment. Ends of these islands can be extended to wrap around canopy columns, hose bibs or trash receptacles by simply adding straight sections.



Hour Glass Island Form Specification/Ordering Guide

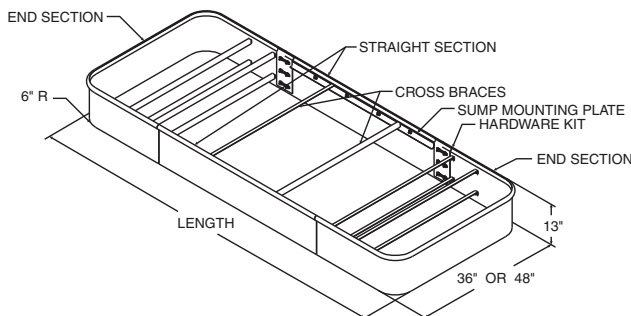
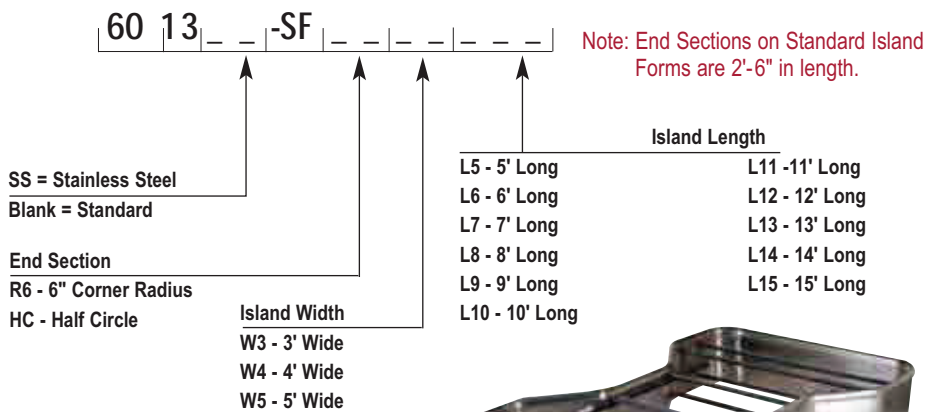


Specify Standard Island Form configurations designed by OPW for a wide variety of retail, commercial and industrial traffic management applications.

Standard (Straight) Island Forms

Straight Island Forms are designed with straight side sections to provide a convenient means of installing multiple dispensers on a single island. Straight Island Forms are also used to protect teller and ATM equipment at banks, restrict or route material handling equipment in warehouses, streamline traffic flows in toll booths and quick-serve restaurants and various other commercial traffic routing applications.

Standard (Straight) Island Form Specification/Ordering Guide



For Custom Island Forms,
Contact OPW Customer Service
1-800-422-2525

"Build Your Own" Island Form Or Curbing From Individual Sections

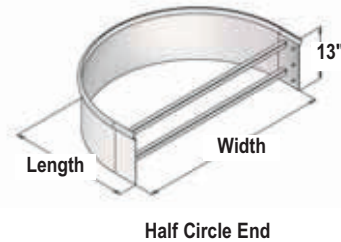
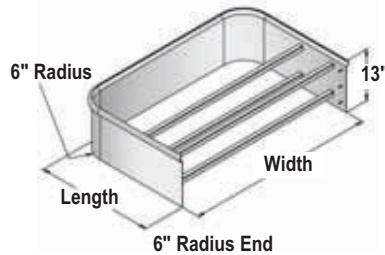
Build your own Island Forms and Protective Curbing to fit your particular application from standard sections.

Standard Island Form End Sections

End Sections are available to build customized Island Forms from standard POMECO Island Form components. Sections are available in Half Circle or 6" Radius configurations. Each End Section is pre-braced and includes all required hardware for assembly.

Ordering Specifications (Standard End Sections)

Model #	Radius	Width	Length	Weight
6013P-EHCW3L30	Half Circle	3'	2' 6"	37 lbs.
6013P-EHCW4L30	Half Circle	4'	2' 6"	40 lbs.
6013P-ER6W3L18	6"	3'	1' 6"	37 lbs.
6013P-ER6W3L30	6"	3'	2' 6"	45 lbs.
6013P-ER6W4L12	6"	4'	1'	35 lbs.
6013P-ER6W4L18	6"	4'	1' 6"	40 lbs.
6013P-ER6W4L30	6"	4'	2' 6"	52 lbs.



Bumper Guard End Sections

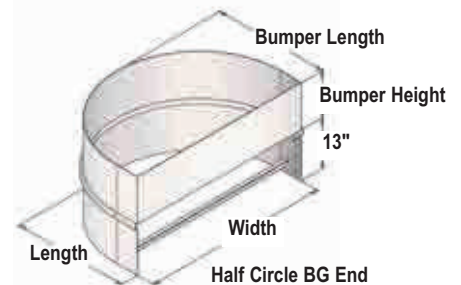
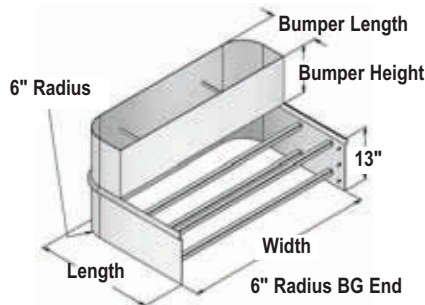
Bumper Guard End Sections replace Standard End Sections on Island Forms to provide additional protection for gasoline dispensers or other critical components. A protective bumper and internal bracing are welded to a standard End Section, allowing concrete to be poured in the form above the finished island grade.

Ordering Specifications (Bumper Guard End Sections)

Model No.	Section Length	Radius	Width	Bumper Length	Bumper Height
6013-BGHCW3L15H12	2' 6"	Half Circle	3'	1' 6"	12"
6013-BGHCW3L15H18	2' 6"	Half Circle	3'	1' 6"	18"
6013-BGHCW4L20H12	2' 6"	Half Circle	4'	2'	12"
6013-BGHCW4L20H18	2' 6"	Half Circle	4'	2'	18"
6013-BGR6W3L25H12	2' 6"	6"	3'	1'	12"
6013-BGR6W3L25H18	2' 6"	6"	3'	1'	18"
6013-BGR6W4L12H12	1'	6"	4'	1'	12"
6013-BGR6W4L18H12	1' 6"	6"	4'	1'	12"
6013-BGR6W4L25H12	2' 6"	6"	4'	1'	12"
6013-BGR6W4L12H18	1'	6"	4'	1'	18"
6013-BGR6W4L18H18	1' 6"	6"	4'	1'	18"
6013-BGR6W4L25H18	2' 6"	6"	4'	1'	18"

Hour Glass Sections

Hour Glass Sections are designed with double-reverse 9" tapers to provide easy access to multi-product gasoline dispensers. One-piece Hour Glass Sections are available from 5' through 9'. Sump Support Bars are included with individual Hour Glass Sections. HGL and HGR sections can be used in conjunction with Straight Sections when designing longer Hour Glass Islands, or for use in Protective Curbing applications.



Ordering Specifications (Hour Glass)

Model No.	Length	Comments	Wgt (lbs.)
6013P-HGL	2'	Hour Glass Left Side Section	13
6013P-HGR	2'	Hour Glass Right Side Section	13
6013P-HG05	5'	Hour Glass Side Section	35
6013P-HG06	6'	Hour Glass Side Section	40
6013P-HG07	7'	Hour Glass Side Section	45
6013P-HG08	8'	Hour Glass Side Section	50
6013P-HG09	9'	Hour Glass Side Section	56
6013P-HG10	10'	Hour Glass Side Section	62
6013P-HG11	11'	Hour Glass Side Section	68
6013P-HG12	12'	Hour Glass Side Section	74

