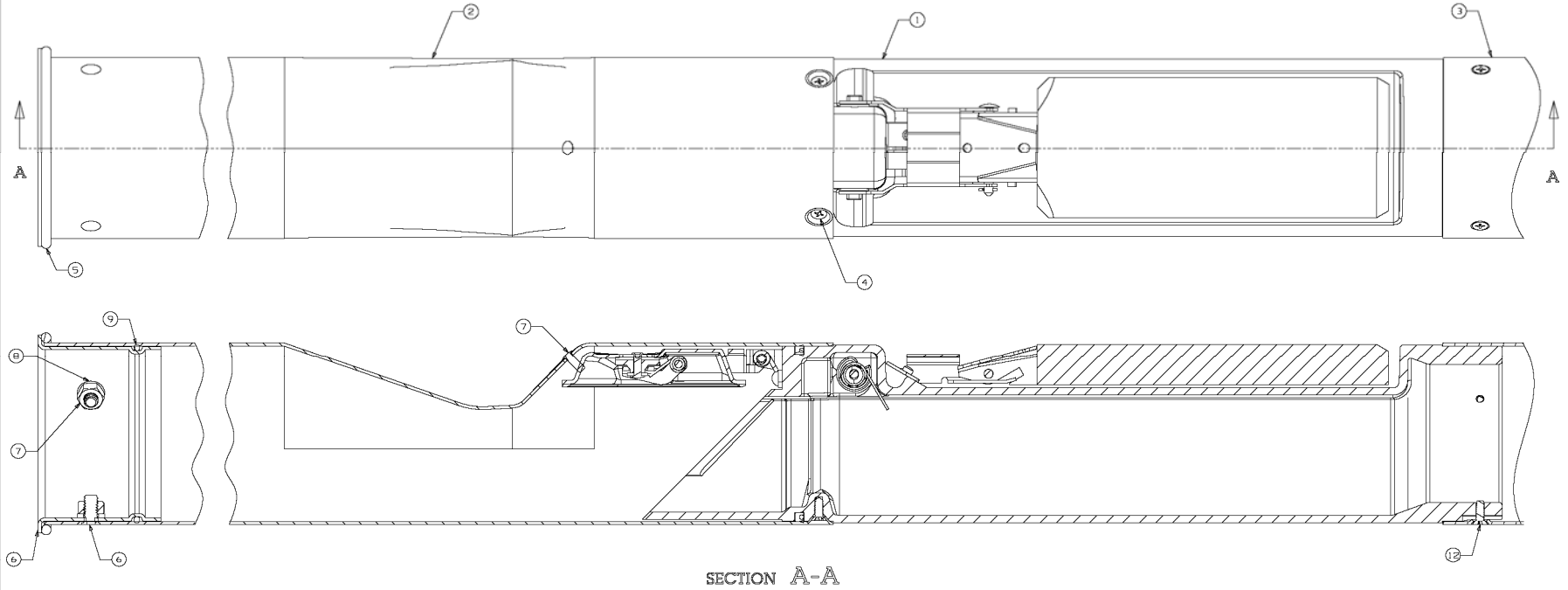


THIS DRAWING AND ALL INFORMATION THEREON IS THE PROPERTY OF OPW FUELING COMPONENTS, IS CONFIDENTIAL AND MUST NOT BE MADE PUBLIC OR COPIED. THIS DRAWING IS LOANED SUBJECT TO RETURN ON DEMAND AND IS NOT TO BE USED DIRECTLY OR INDIRECTLY IN ANY WAY DETRIMENTAL TO THE INTERESTS OF OPW FUELING COMPONENTS. ALL COPYRIGHT AND PATENT RIGHTS RESERVED.

NO.	PART NO.	DESCRIPTION	QTY.
1		BODY S/A	1
2		UPPER TUBE	1
3		LOWER TUBE	1
4		TAPTITE SCREW	3
5		O-RING	1
6		INLET TUBE	1
7		POP RIVET	1
8		SELF CLINCHING STUD	3
9		HEX NUT	3
10		LOCK WASHER	3
11		O-RING	1
12		TAPTITE SCREW	3
13		MEASURING STICK	1
14		CARTON	1
15		FILLER	2

• ITEMS CONTAINED IN 201648 INSTALLATION KIT S/A
 •• ITEMS NOT SHOWN.



SECTION A-A

ALL DIMENSIONS ARE IN INCH
 TOLERANCES UNLESS OTHERWISE SPECIFIED
 X.XXX = ±.005" (X.XXX = ±.127mm)
 X.XX = ±.01" (X.XX = ±.254mm)
 X.X = ±.03" (X = ±.762mm)
 CASTING FRACTIONAL = ±.03"
 MACHINING FRACTIONAL = ±.004"
 FINISH = 100 RMS (3.2µm)
 ANGLE = ±.1°

OPW 7150-4010			
OVERFILL PREVENTION			
DROP TUBE VALVE WITH INLET TUBE			
THIRD ANGLE PROJECTION			
OPW			
ORANGE Kwik-Lok® Valves			
SCALE: FULL		DATE: 2-20-09	
B	27243	0-1-09	KAK
A	27283	1-25-08	KKB
DESIGNER	DR. NO.	DATE	CHKD.
DRAWN		APPROVED	
DRAWING NO. 7150-4010			D
			5128