

## OPW 101BG-2100 Series Below-Grade Spill Containers

OPW Below-Grade Spill Containment Manholes are used in new tank or riser pipe installations. The watertight spill containment chamber is installed completely below grade level. A grade level manhole cover lies flush with the driveway grade to reduce a tripping hazard and the potential for damage from snow plows and traffic. Surface water drains into the backfill between the manhole skirt and the exterior of the containment bucket. Below-grade spill containers are available in thread-on and slip-on configurations in 5 and 15-gallon capacities.

101BG Slip-on Model Instruction Sheet Order Number: **H12579M**

101BG-2100 Instruction Sheet Order Number: **H12260M**

**Important Notice:** The OPW 101BG-2100 Spill Container Series does not prevent contamination of the soil or backfill resulting from spills flowing between the spill container and the outer shell. Ground contamination may result if the spill container is filled beyond capacity, or if a spill occurs outside the spill containment cell.



North America Toll Free – TELEPHONE: (800) 422-2525  
Fax: (800) 421-3297 • Email: domestic@opw-fc.com  
International – TELEPHONE: (513) 870-3315 or (513) 870-3261  
Fax: (513) 870-3157 • Email: intl@opw-fc.com • www.opw-fc.com  
9393 Princeton-Glendale Road • Hamilton, OH 45011

ONE COMPANY. ONE WORLD. ONE SOURCE.™

### Materials

**Grade cover:** fiberglass reinforced composite (steel optional)

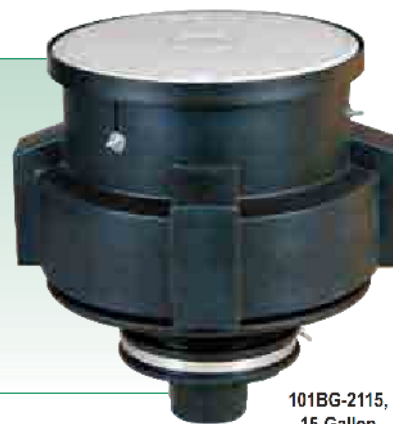
**Lid:** glass reinforced composite

**Lever, top case:** polyethylene

**Outer shell:** polyethylene, powder-coated steel

**Containment cell:** polyethylene

**Base:** Duratuff® II or cast iron



101BG-2115,  
15-Gallon

### Features

- ◆ **Pull-to-Open Drain Valve** – Allows high-speed drainage of excess product into the tank. Designed with a convenient self-cleaning seal and removable screen for easier component cleaning. (CARB Approved)
- ◆ **Capacity** – 5-gallon and 15-gallon capacities.
- ◆ **Outer Shell** – The outer shell isolates the containment vessel from the surrounding concrete and gravel. This high-density polyethylene shell is designed to provide space between the outer shell and the containment vessel to allow any surface water that enters to flow into the backfill, not the containment vessel. Elimination of water in the spill container reduces product contamination and ice formation during cold winter months.
- ◆ **Vapor-Tight Lid** – A unique, hinged and sealed containment vessel lid provides a vapor-tight seal, designed to prevent vapors from escaping at ground level while eliminating the accumulation of dirt and water that contaminate fuel. Incorporating a special lid interlock design, the grade level cover cannot be replaced on the outer shell without the lever being in the closed and locked position.
- ◆ **Composite Grade Level Cover** – Made of sturdy fiberglass reinforced composite, the grade cover is less prone to theft than aluminum covers, and lighter in weight than cast iron. In addition, the cover lies flush with the actual grade so no ramps are required to support the cover, eliminating snow plow hazards and “speed bumps.” (Optional steel plate cover is also available)
- ◆ **Fuel Compatibility** – Designed to accommodate the fuels of the future, including methanol, ethanol and fuels with MTBE additives.
- ◆ **Easy Installation** – Reduces job-site time and installation costs. Simply thread the Duratuff® II base (cast iron base is optional) onto a standard 4" schedule 40 pipe. Guides are provided to assure proper positioning of the spill container. The hinged lid orientation is adjustable during installation for site-specific placement.
- ◆ **Product Identification Tags** – Available for both the spill container cover and bucket to positively identify the product contained in the UST with standard API symbols. (See product I.D. tag specification page for more information: page 66.)
- ◆ **Highway 20 Rated (H20)** – All OPW spill containers and manholes exceed the requirements of the Highway 20 rating.

### Listings and Certifications

#### CARB Certifications and Listings

101BG(S)-2100  
101BG(S)-2115

Approval Letter  
#93-26





## Ordering Specifications

### Duratuff® II Base Models

Model	Gal.	Liter	Drain Valve	lbs.	kg
101BG-2100	5	19	Pull	60	27
101BG-2105**	5	19	None	60	27
101BG-2115	15	57	Pull	65	29
101BG-205S*	5	19	Pull	80	36
101BG-215S*	15	57	Pull	85	36

\* Steel grade level cover.  
\*\* Slip on Base

### Cast Iron Base Models

Model	Gal.	Liter	Drain Valve	lbs.	kg
101BG-2100C	5	19	Pull	72	33
101BG-2115C	15	57	Pull	77	35
101BG-205SC*	5	19	Pull	92	42
101BG-215SC*	15	57	Pull	97	44

\* Steel grade level cover.

### Dimensions

	101BG-2100		101BG-2115	
	in.	cm	in.	cm
A	20 <sup>9</sup> / <sub>16</sub>	52	20 <sup>9</sup> / <sub>16</sub>	52
B	17 <sup>1</sup> / <sub>4</sub>	44	25 <sup>1</sup> / <sub>2</sub>	65
C*	23 <sup>29</sup> / <sub>32</sub>	76	27 <sup>21</sup> / <sub>32</sub>	71
D	22 <sup>1</sup> / <sub>16</sub>	56	26 <sup>9</sup> / <sub>32</sub>	66

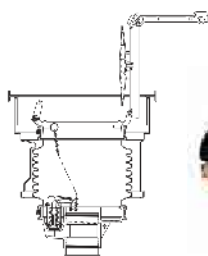
\*Subtract 2" from "C" dimension for Cast Iron Base Models.

### Replacement Parts/Accessories

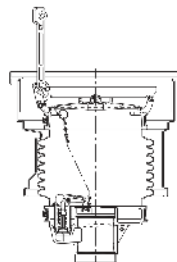
Part #	Description
1DK-2100-EVR	Pull Drain Valve
101BG-21AR	Inside Hatch Height Extender
101BG-21LA	Red Lever and Crossarm Assembly
101BG-LATCH	Latch Kit; Yoke, Cotterpin and Spring
101BG-BUCKET	5 Gallon Replacement Spill Container
C04785M	5 Gallon Insert Support
C04476M	15 Gallon Insert Support

Part #	Description
D01747M	Composite Manhole Cover
E00491	Complete Replacement Top Assembly
H11671M	Steel Manhole Cover
H12280M	Ring Seal
H12620	Inside Hatch
P110-20LID	Steel Manhole Cover w/ID Tag System

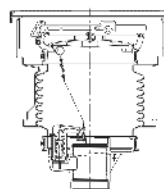
### Operation of 101BG Lid



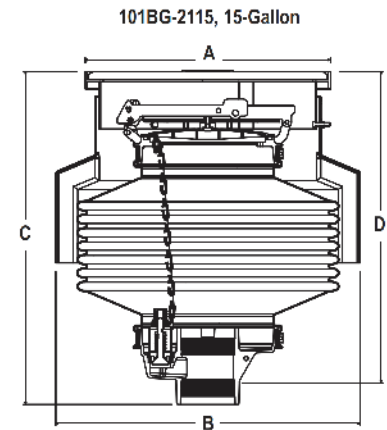
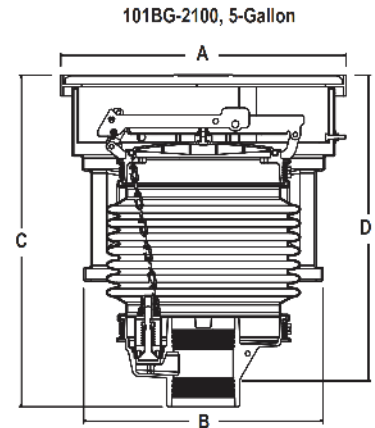
Lid and lever in open position.



Lid down, but not closed. Lever still in upright position preventing replacement of grade cover.



Lid and lever in closed and locked position.  
Grade cover now easily replaced on rim.



NOTE: "D" dimension is height from riser pipe to finish grade (+1" for slope)

1DK-2100 Drain Valve Kit  
Instruction Sheet Order Number:  
H11471M

### Important

FlexWorks by OPW, Inc., VAPORSAVER™ and all other OPW products must be used in compliance with all applicable federal, state, provincial and local laws, rules and regulations. Product selection must be based on physical specifications and limitations, compatibility with the environment and material to be handled. All illustrations and specifications in this literature are based on the latest production information available at the time of publication. Prices, materials and specifications are subject to change at any time, and models may be discontinued at any time, in either case, without notice or obligation. OPW warrants solely to its customer that the following products sold by OPW will be free from defects in materials and workmanship under normal use and conditions for the periods indicated.